



## **Industrial Pneumatic Tyres**

Specialist Tyres for  
Maximum Efficiency

Pneumatic Tyres from Continental	03
ContiRT20 Performance	04
ContiRV20 Velocity	06
TractorMaster	08
TerminalTransport	10
ContiRV20 Industrial, IC 70 & ConRad HT1	12
IC 40, IC 10 / IC 12 & IC 30	13
Dimensions	14
Tubeless Sealing Ring	16

## Pneumatic Tyres from Continental

Whether in harbour or airport applications, in industry or the logistics sector – the requirements could not be more different. Speed, distance, weight, temperature, humidity, surface conditions and many other factors vary according to the operation, these factors make your business individual.

### **Special challenges call for special solutions**

We have responded to these conditions and have adapted our products to your unique set of requirements.

Our comprehensive product range has evolved from this. We not only offer you a solution to meet your every requirement, but also adapt effectively to every challenge.





Industrial Radial Tyres

## ContiRT20 Performance

Power and durability

The ContiRT20 Performance is characterised by an outstanding mileage due to the low abrasion tread compound and resistance to damage and cuts even under extreme conditions.

The construction of this tyre is specially designed to offer maximum tilting stability and therefore safety when lifting and transporting heavy and fragile loads. That's where the comfort due to reduced vibration and excellent handling of this tyre comes into play.

In general the ContiRT20 is your perfect choice when it comes to high productivity and lowest operating costs in tough working conditions.





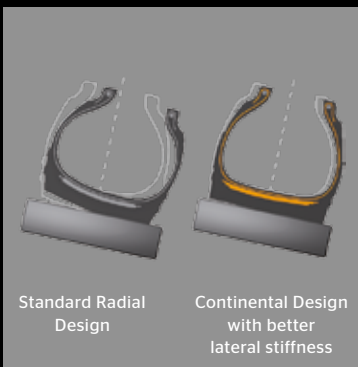


#### Increased tyre life

- Extra deep tread depth and maximum tread wear volume

Reduced energy consumption and CO<sub>2</sub> output via low rolling resistance rubber compounds

Low abrasion tread compound with resistance to damage caused by cuts and tears



Standard Radial Design

Continental Design with better lateral stiffness

#### Maximum tilting stability

- Wide flat belt construction with reinforced steel beads

Stiffened sidewall technology that can adapt to uneven surfaces

Maximum tread width ensuring total contact between tyre and ground



#### Comfort and traction on soft and uneven surfaces

- Better transmission of forces via radial construction

Heavy duty rugged tread blocks

Multiple angled tread edges



Industrial Radial Tyres

## ContiRV20 Velocity

### Strength meets speed

The ContiRV20 Velocity offers high productivity and lowest operating costs in fast moving logistic applications.

The improved wet grip and traction capabilities go along with shorter stopping distances and better grip on slippery or sloping surfaces and therefore safety.

Due to the closed shoulder design and the construction of the tyre heel and tow wear is eliminated, the tyre is high durable and is excellent in comfort and handling.

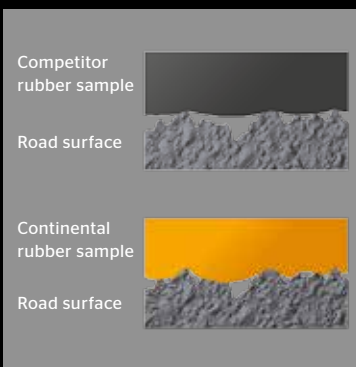




#### Low energy consumption

- Radial tyre construction for most efficient transmission of drive forces

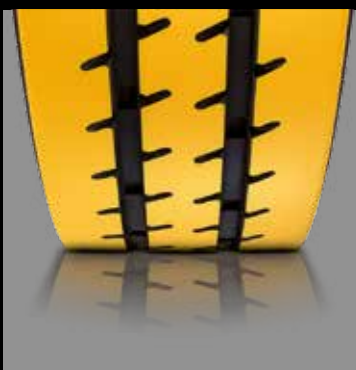
Reduced energy consumption and CO<sub>2</sub> emission output via low rolling resistance rubber compounds



#### Wet grip and traction

- Molecular tread compound that grips structure of road surface

Ribbed tread profile for permanent contact with ground surface



#### Ride comfort and even wear

- Ribbed tread pattern for smooth road contact

Radial tyre construction gives optimum damping

Closed shoulder to avoid tearing and elimination of heel and tow wear





Industrial Radial Tyres

## TractorMaster

### High performance for heavy tasks

The TractorMaster is the high-performance radial tyre for heavy tasks. Reinforced bead designs make light work of heavy loads. S-shaped cross ribs excel in all weathers, producing outstanding traction, while the closed shoulder design ensures an exceptionally quiet ride. What is more, the low-abrasion tread compound delivers outstanding mileage.

- › Outstanding traction
- › Quiet ride
- › High mileage
- › Low abrasion tread compound

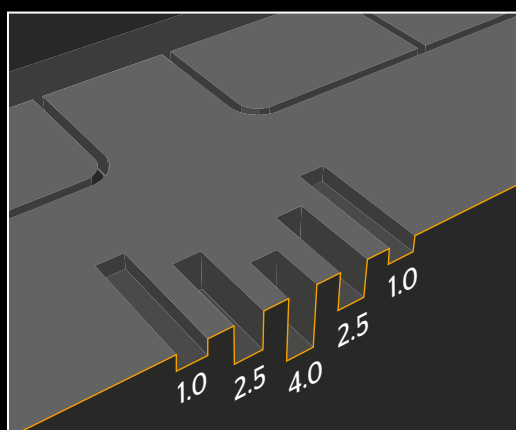






## VAI™ - the visual alignment indicator highlights misaligned wheels.

Vibrations in the steering wheel or free rolling steering wheels are clear indicators to the driver that the vehicle's wheel alignment must be checked. However, small wheel misalignments often remain unnoticed. This results in unnecessary costs due to wear and tear of the tyres, damage to the casing and increased fuel consumption. This can be avoided with VAI™ from Continental.



Cross section of the indicator with depth information in mm.





Industrial Radial Tyres

## TerminalTransport

### The all-rounder

Continental TerminalTransport is an all-rounder. This radial tyre with its closed shoulder design and proven tread pattern will perform on all axle positions of a terminal tractor. It is ideally suited for an environment with newer and more even surfaces. It offers the advantages of low rolling resistance, excellent grip and traction in the wet, high ride comfort and even wear - all at a reasonable price.





#### High damage resistance

Tread area protects tyre from cuts, chipping and chunking

Reduces the number, and most importantly the depth of any cuts and tears



#### Outstanding protection

Due to the belt layer, the TerminalTransport withstands highly concentrated pressures and loads

Protects the casing effectively and offers best retreadability



#### Usable for multiple axle positions

The special tread pattern improves the tyre's self-cleaning characteristics and reduces stone-trapping (casing protection)

Combines high mileage with significant traction and optimum road suitability, whatever the weather conditions

The TerminalTransport offers an overall excellent price-performance ratio





Industrial Radial Tyres

### ContiRV20 Industrial

For tougher applications



The ContiRV20 Industrial is specially designed for heavy-duty forklifts used in harsh environments.

#### Customer benefits

Outstanding riding comfort

Smooth ride

Cut- and chunk-resistant

### IC 70

For all wheel positions



The IC70 Extra Deep is the universal industrial tyre for all wheel positions available from 8"+.

#### Customer benefits

Good traction

Excellent riding comfort

Less heat production

Energy saving

### ConRad HT1

Tougher for longer service



The ConRad HT1 twin fitment solution for large forklifts.

#### Customer benefits

Less heat

Lower rolling resistance

Longer wear

Cost efficient





## Industrial Crossply Tyres

### IC 40

For demanding applications in hard conditions



The tyre for demanding applications, where high mileage and durability are critical.

#### Customer benefits

---

High loading capability

---

High tyre stability

---

High damage resistance

### IC 10 / IC 12

The universal tyre for all wheel positions



The sturdy construction provides protection from tread punctures.

#### Customer benefits

---

Good ride comfort

---

High mileage

### IC 30

Designed for unpaved surfaces



The IC30's strong lugs are constructed from a wear-resistant rubber compound, which guarantees good mileage.

#### Customer benefits

---

Good mileage

---

Good traction

---

Self-cleaning

# Dimensions

## Article Program Radial Tyres

Size		PR	LI	SSY	Tread Pattern	Tyre Type
<b>8" Rim</b>						
5.00R8		10	111	A5	IC70	TL
125/75 R 8	15x4 1/2R8	12	100	A5	IC70	TL
150/75 R 8	16x6R8	16	113	A5	IC70	TL
180/70 R 8	18x7R8	16	125	A5	ContiRV20 • ContiRT20	TL
<b>9" Rim</b>						
6.00 R 9		12	121	A5	ContiRV20 • ContiRT20	TL
<b>10" Rim</b>						
6.50 R 10		14	128	A5	ContiRT20 • ContiRV20	TL
225/75 R 10	23x9R10	20	142	A5	ContiRT20 • ContiRV20	TL
<b>12" Rim</b>						
7.00 R 12		16	136	A5	ContiRT20 • ContiRV20	TL
250/75 R 12	27x10R12	20	152	A5	ContiRT20	TL
<b>13" Rim</b>						
165 R 13			102	A6	ContiRV20	TL
<b>15" Rim</b>						
7.00 R 15		14	143	A5	ContiRV20 • ContiRT20	TL
7.50 R 15		16	146	A5	ContiRV20 • ContiRT20	TL
8.25 R 15		18	153	A5	ContiRV20* • ContiRT20 • ConRadHT1	TL
225/75 R 15	28x9R15	16	149	A5	ContiRT20	TL
250/70 R 15		18	153	A5	ContiRV20* • ContiRT20	TL
315/70 R 15		22	165	A5	ContiRV20* • ContiRT20	TL
355/65 R 15		24	170	A5	ContiRT20	TL
<b>16" Rim</b>						
225/75 R 16			116	A8	ContiRV20	TL
<b>16.5" Rim</b>						
8.75 R 16.5			128	A8	ContiRV20	TL
<b>20" Rim</b>						
10.00 R 20		18	166	A5	ContiRT20	TL
11.00 R 20		18	169	A5	ContiRT20	TL
12.00 R 20		20	176	A5	ContiRV20* • ContiRT20 • ConRadHT1	TL
<b>22.5" Rim</b>						
280/75 R 22.5			168	A8	TractorMaster	TL
300/80 R 22.5			172	A8	TerminalTransport	TL
310/80 R 22.5			175	A8	TractorMaster	TL

\*) Industrial specification

# Dimensions

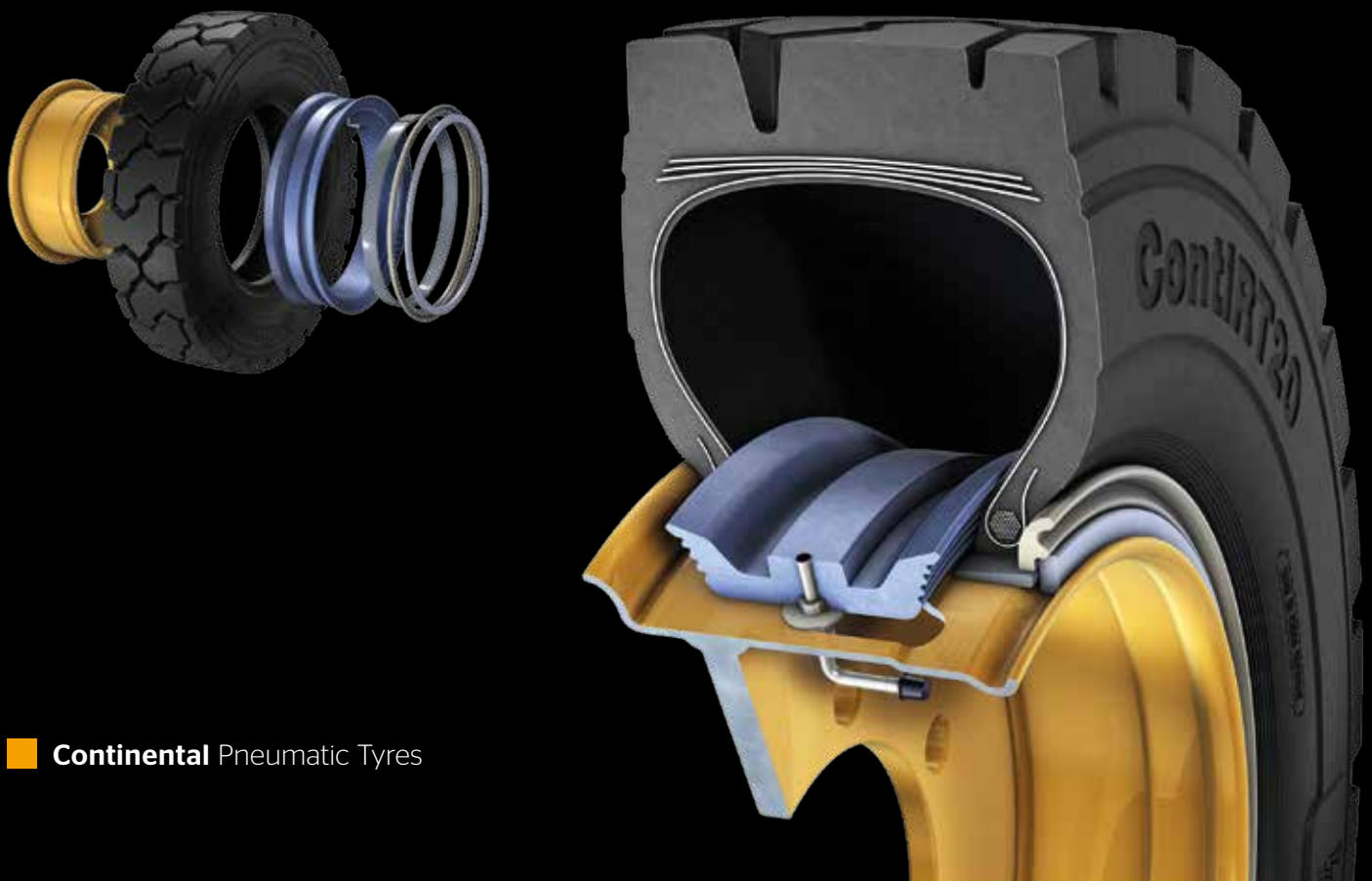
## Article Program Cross-ply Tyres

Size	PR	LI	SSY	Tread Pattern	Tyre Type
<b>4" Rim</b>					
3.00-4	4	51	A5	IC10 • IC35	TT
4.00-4	6	77	A5	IC10	TT
15x4 1/2-8	12	100	A5	IC36	TT
<b>8" Rim</b>					
4.00-8	6	90	A5	IC10	TT
4.00-8	10	97	A5	IC10	TT
5.00-8	8	106	A5	IC10 • IC40	TT
16x6-8	16	113	A5	IC12	TT
18x7-8	16	125	A5	IC12 • IC40	TT
<b>9" Rim</b>					
6.00-9	12	121	A5	IC10 • IC40	TT
21x8-9	14	131	A5	IC40	TT
21x8-9	16	134	A5	IC12	TT
<b>10" Rim</b>					
6.50-10	14	128	A5	IC10 • IC40	TT
7.50-10	12	133	A5	IC10	TT
23x9-10	14	134	A5	IC12 • IC30	TT
23x9-10	20	142	A5	IC12 • IC40	TT
<b>12" Rim</b>					
7.00-12	14	134	A5	IC10 • IC40	TT
7.00-12	16	136	A5	IC10 • IC40	TT
27x10-12	14	143	A5	IC12 • IC30 • IC40	TT
27x10-12	20	152	A5	IC12 • IC40	TT
<b>13" Rim</b>					
21x4	4	98	A5	IC10	TT
22x4 1/2	4	101	A5	IC10	TT
23x5	6	113	A5	IC10	TT
25x6	8	126	A5	IC10 • IC40	TT
<b>15" Rim</b>					
7.00-15	12	138	A5	IC10	TT
7.50-15	14	144	A5	IC40	TT
7.50-15	16	146	A5	IC10	TT
8.25-15	18	153	A5	IC10 • IC40	TT
28x9-15	14	146	A5	IC12 • IC40	TT
200-15	12	139	A5	IC12	TT
250-15	18	153	A5	IC12 • IC40	TT
355/65-15	24	170	A5	IC40	TL
<b>20" Rim</b>					
10.00-20	18	166	A5	IC40	TL
12.00-20	20	176	A5	IC40	TL

## Tubeless Sealing Ring

### Improved safety and mobility

The TSR is a product which enables the mounting of tubeless industrial tyres on standard industrial vehicle rims, which, because of their construction, must normally be mounted with a tube and a flap. The TSR consists of a rubber ring with an integrated tyre inflation valve. The rubber ring sits on the cylindrical part of the rim between the beads of the tyre, and ensures an airtight interface sealing the tyre chamber, without the use of a tube and flap.







*“The ContiRT20 is an extraordinarily good tyre for our requirements. Just like the service from Conti. You notice they understand something about customer satisfaction.”*

**Roy Blanco**

Site Operations Manager at iLevel  
by Weyerhaeuser (Long Beach, USA)







## Pioneering eco-friendly innovations

**Continental works on pioneering renewable resources such as Taraxagum.** For this successful initiative, Continental has received the European environment prize “GreenTec Award”. The tyre manufacturer is also obliged to the European Chemicals Directive REACH that stipulates the Registration, Evaluation, Authorisation and Restriction of Chemicals.

**Continental Commercial Specialty Tyres (CST) continuously invests in the development of sustainable innovations for economically and ecologically efficient mobility.** Besides the reduction of fuel and energy consumption, the tyre manufacturer focuses on enhancing the tyres’ performance for an extended lifecycle. Long-lasting tyres consume less energy across the entire manufacturing process and in application. In addition, Continental CST strives to utilise the most environmentally friendly raw material sources.

**Continental CST will continue to work on enhancing the sustainable performance of its tyres so as to make a valuable contribution to the protection of the environment and to a cleaner future.**



**Continental Tyre Group Ltd**

191 High Street  
Yiewsley, West Drayton  
Middlesex  
UB7 7XW

[www.continental-tyres.co.uk/specialty](http://www.continental-tyres.co.uk/specialty)

